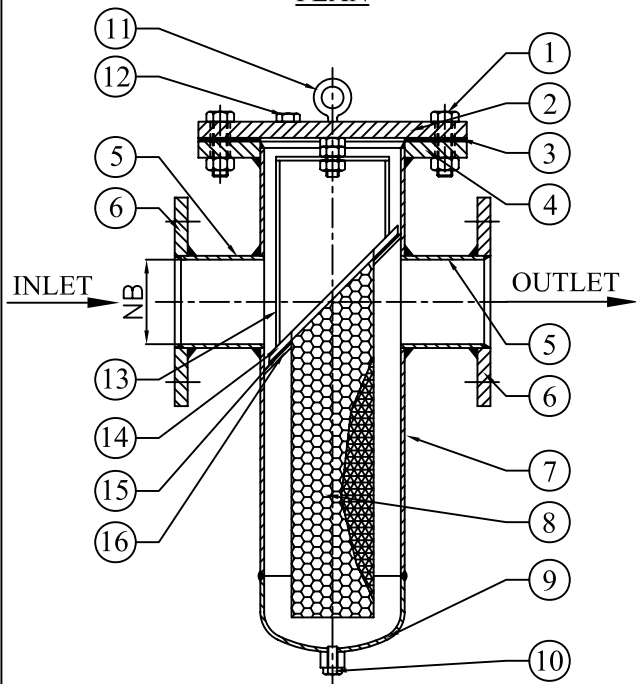


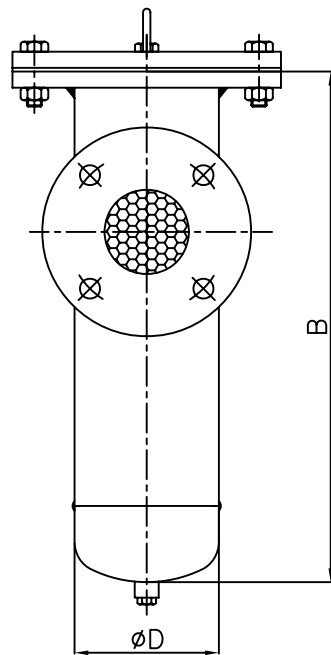
PLAN

DIMENSIONS TABLES			
SIZE	A	B	∅D
20 NB	195	285	73
25 NB	195	290	73
40 NB	210	360	90
50 NB	210	360	90
65 NB	250	400	110
80 NB	345	420	135
100 NB	408	510	150
150 NB	470	650	210
200 NB	560	870	260
250 NB	652	1060	312
300 NB	748	1255	368
350 NB	812	1520	412

DIMENSION 'B' IS BASED ON MESH SIZE 40
PLEASE CONSULT FOR OTHER MESH SIZE.

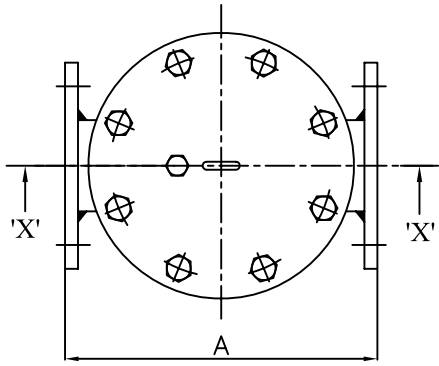


SECTION-'X'-'X'



SIDE VIEW

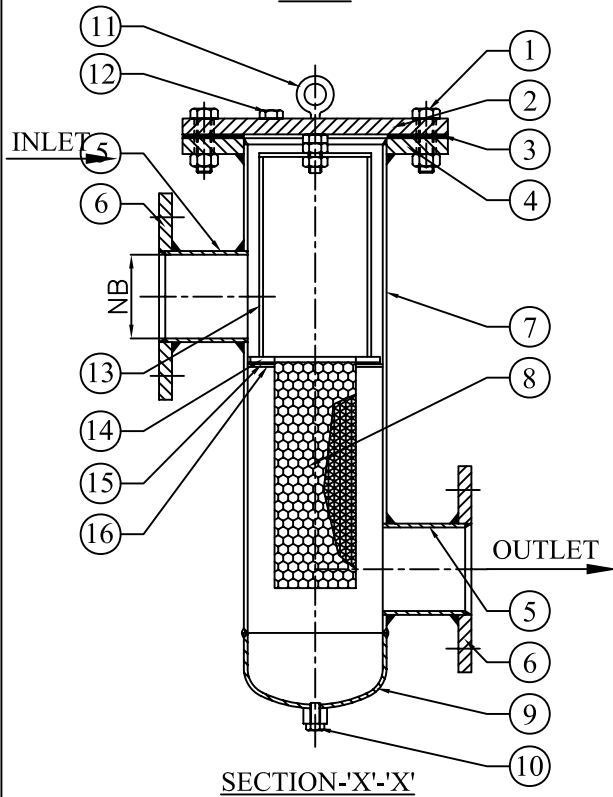
BASKET STRAINER -INLINE



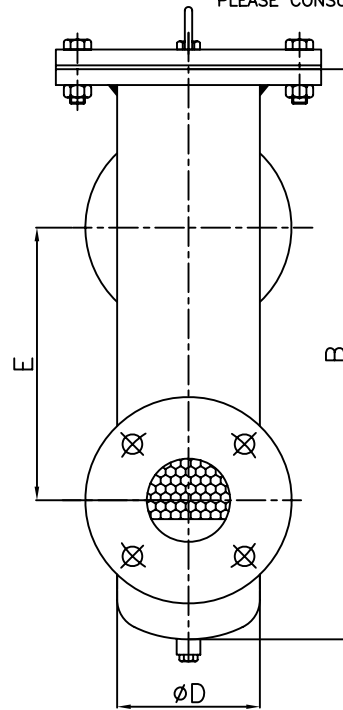
PLAN

DIMENSIONS TABLES				
SIZE	A	B	E	∅C
20 NB	195	285	150	73
25 NB	195	290	155	73
40 NB	210	360	220	90
50 NB	210	360	220	90
65 NB	250	400	250	110
80 NB	345	420	270	135
100 NB	408	510	340	150
150 NB	470	650	430	210
200 NB	560	870	600	260
250 NB	652	1060	750	312
300 NB	748	1255	900	368
350 NB	812	1520	1100	412

DIMENTION 'B' IS BASED ON MESH SIZE 40
PLEASE CONSULT FOR OTHER MESH SIZE.



SECTION-'X'-'X'



SIDE VIEW

BASKET STRAINER-OFFLINE